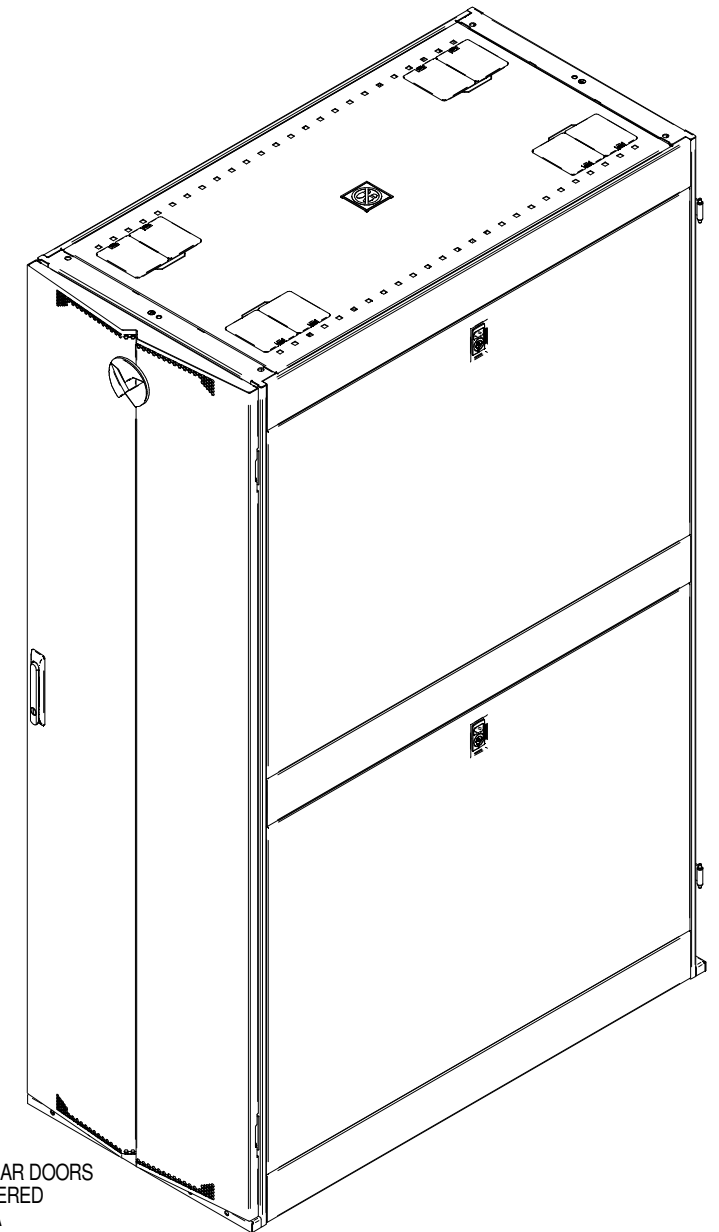
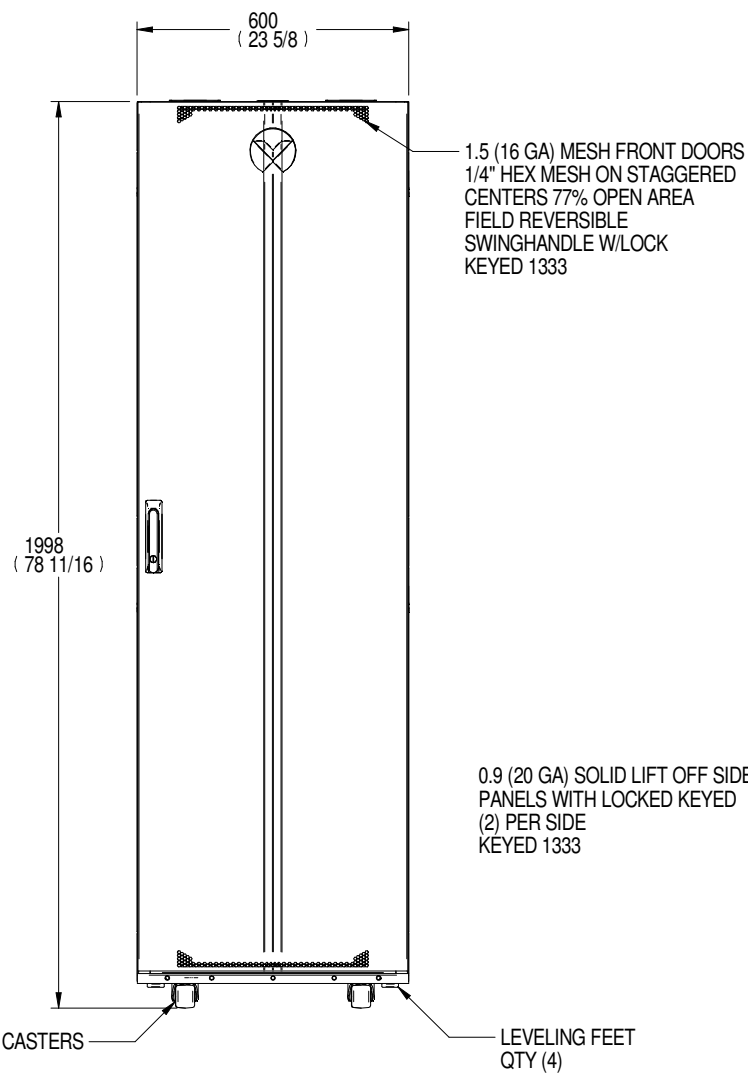


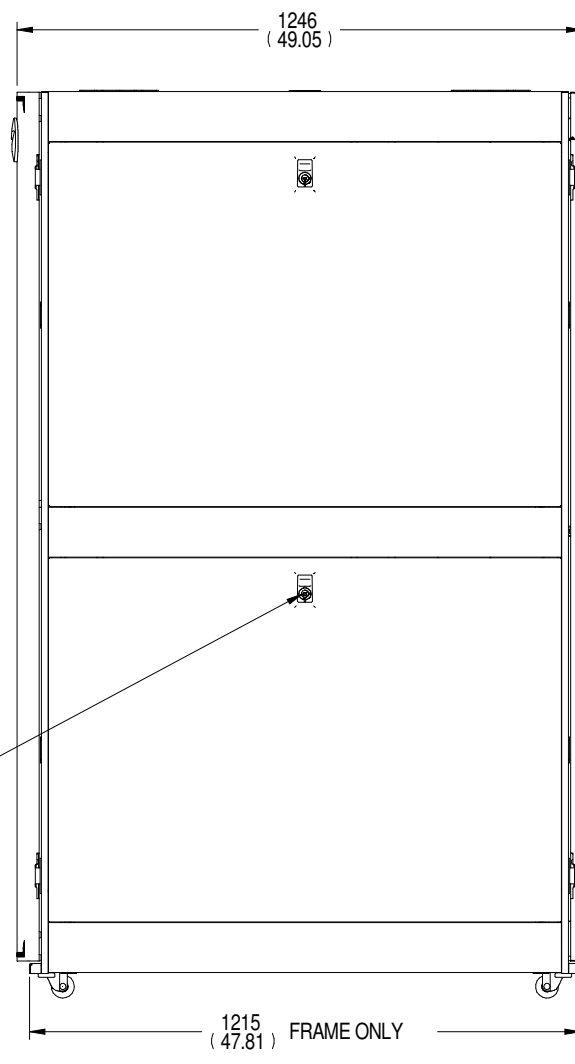
TOP VIEW



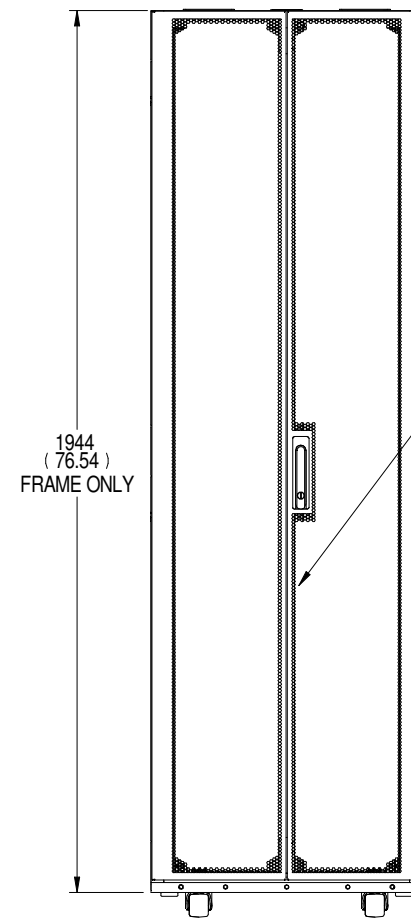
FRONT ISOMETRIC VIEW



FRONT VIEW



RIGHT SIDE VIEW



REAR VIEW

1.2 (18 GA) SPLIT MESH REAR DOORS  
1/4" HEX MESH ON STAGGERED  
CENTERS 77% OPEN AREA  
FIELD REVERSIBLE  
SWINGHANDLE W/LOCK  
KEYED 1333

VR3300 OPTIONAL MODEL DESCRIPTION BY SUFFIX	
RACK MODEL	DESCRIPTION
VR3300-001	NO FRONT DOOR, NO REAR DOOR, NO RIGHT SIDE PANELS, NO LEFT SIDE PANELS
VR3300-002	NO FRONT DOOR, NO REAR DOOR
VR3300-003	NO FRONT DOOR
VR3300-004	NO REAR DOOR
VR3300-005	NO RIGHT SIDE PANELS
VR3300-006	NO LEFT SIDE PANELS
VR3300-007	NO RIGHT SIDE PANELS, NO LEFT SIDE PANELS
VR3300-013	NO FRONT DOOR, NO REAR DOOR, NO SIDE PANELS, NO ROOF

- NOTES:  
 1. ALL DIMENSIONS ARE MM (INCH), TOLERANCES ±2.5 (±0.1)  
 2. UNIT WEIGHT: 136.9 KG (301.8 LBS)  
 3. STATIC WEIGHT CAPACITY: 1361 KG (3000 LBS)  
 4. DYNAMIC WEIGHT CAPACITY: 1021 KG (2250 LBS)  
 5. PACKAGE OF M6 SCREWS, CAGE NUTS INCLUDED.

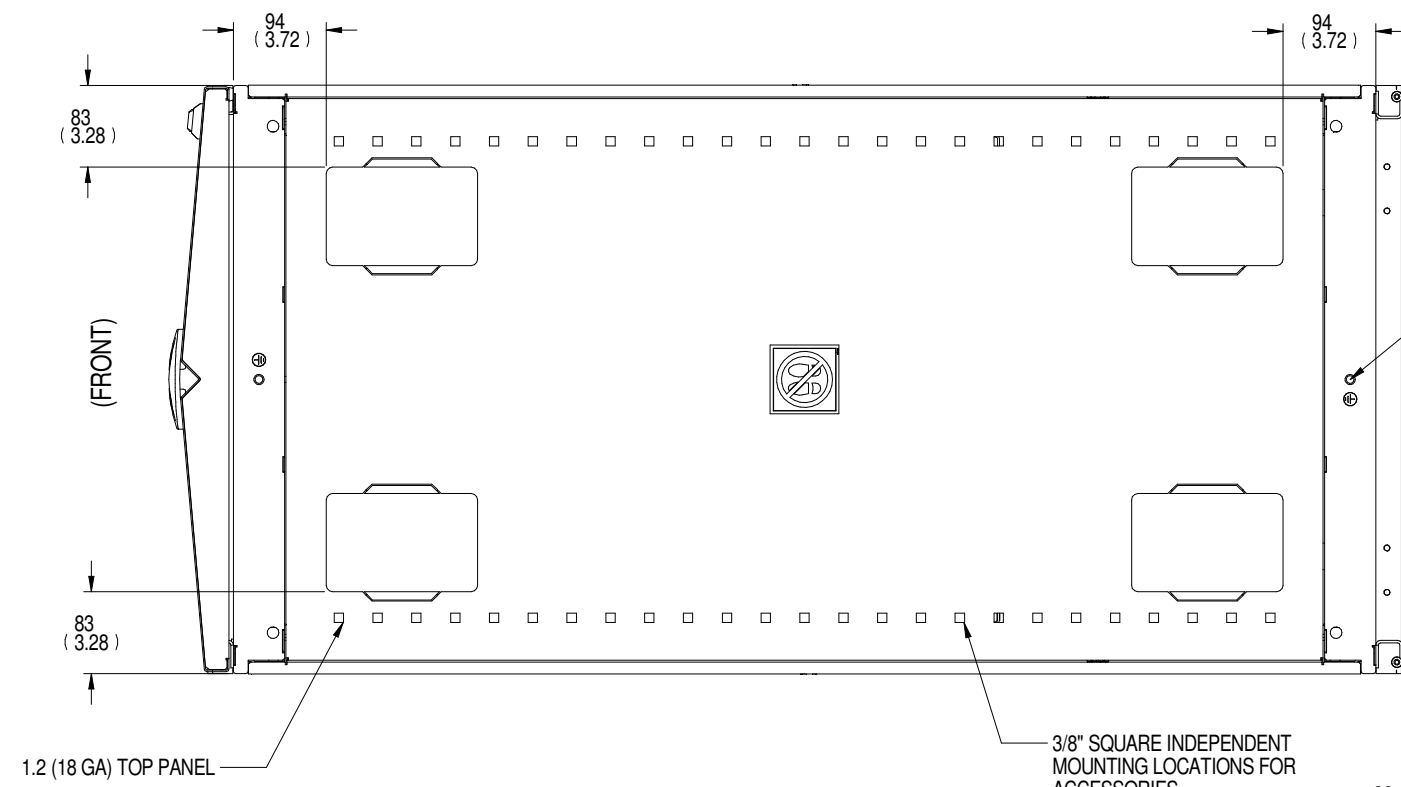
DRAWN BY: TED BEAVER	SHEET NUMBER: 1 OF 3
CHECKED BY: BRAD REINBOLT	ECN NUMBER: N/A
REFERENCE DRAWING: N/A	QUOTE NUMBER: N/A

TITLE / DESCRIPTION  
 VERTIV VR RACK  
 42U X 600mm W x 1200mm D

VR3300

DRAWING NUMBER: VR3300-SUBTL	DATE: 04/15/21	REV#: 3	1050 DEARBORN DRIVE P.O. BOX 29186 COLUMBUS, OHIO 43229
---------------------------------	-------------------	------------	---

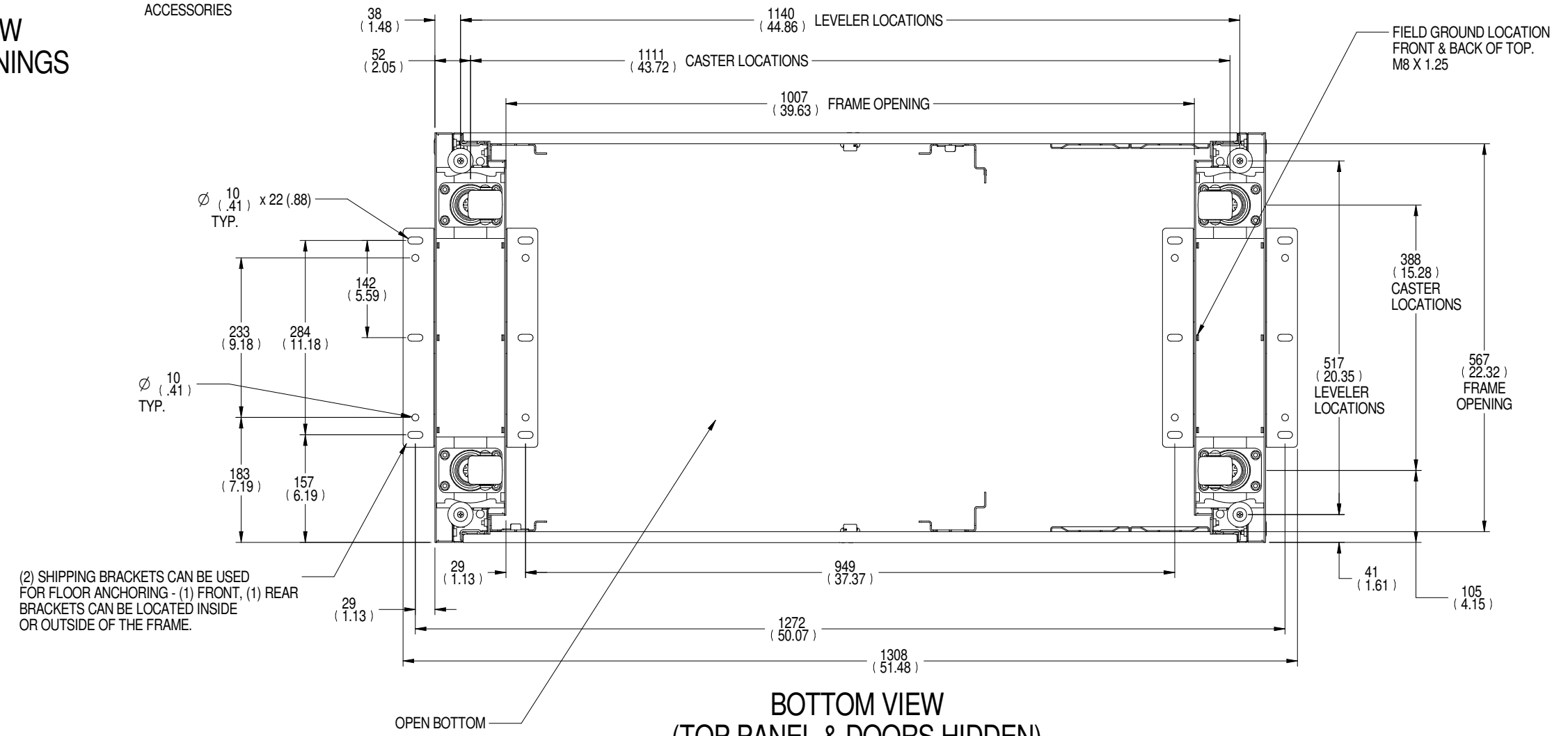




**TOP VIEW  
CABLE OPENINGS**

FIELD GROUND LOCATION  
FRONT & BACK OF TOP.  
M8 X 1.25

3/8" SQUARE INDEPENDENT  
MOUNTING LOCATIONS FOR  
ACCESSORIES

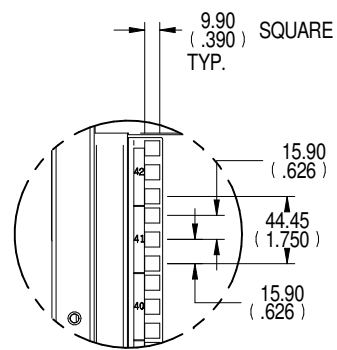


**BOTTOM VIEW  
(TOP PANEL & DOORS HIDDEN)**

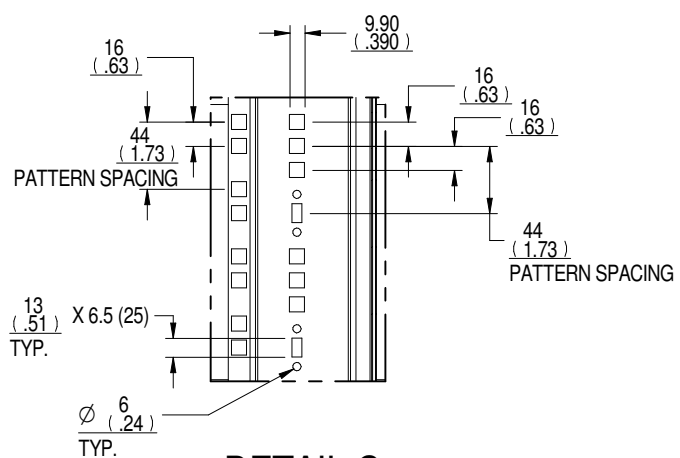
(2) SHIPPING BRACKETS CAN BE USED  
FOR FLOOR ANCHORING - (1) FRONT, (1) REAR  
BRACKETS CAN BE LOCATED INSIDE  
OR OUTSIDE OF THE FRAME.

OPEN BOTTOM

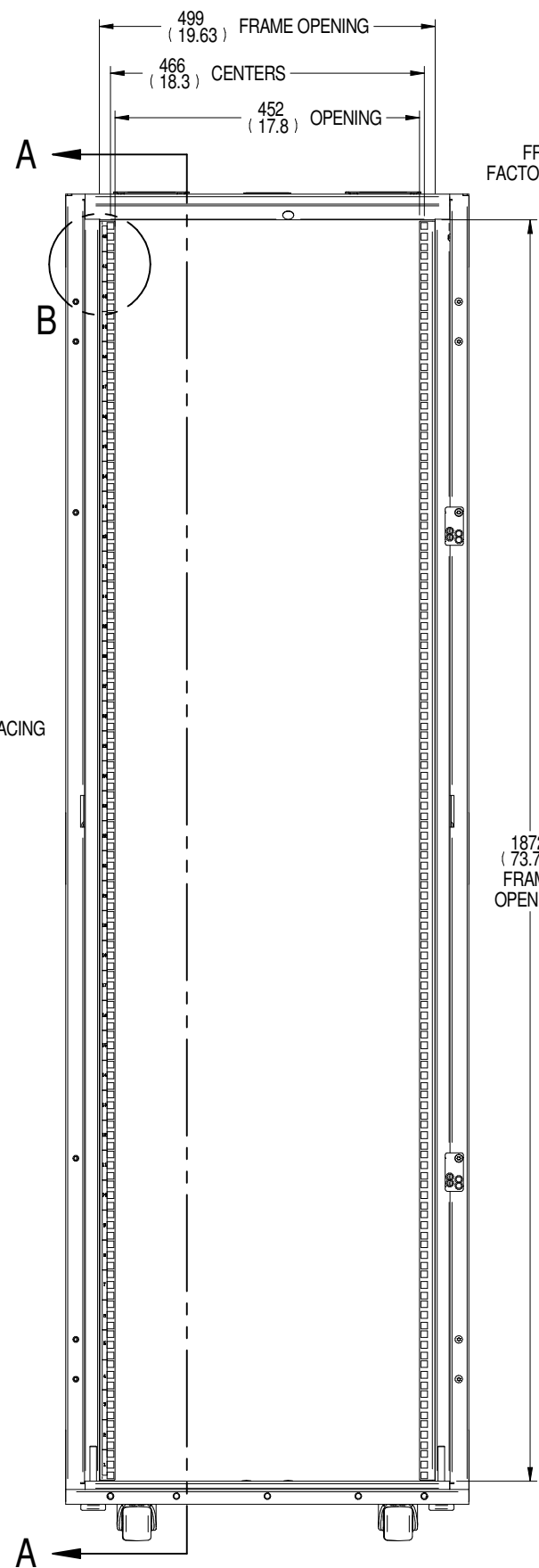
DRAWN BY: TED BEAVER	SHEET NUMBER: 2 OF 3	TITLE / DESCRIPTION  VERTIV VR RACK 42U X 600mm W x 1200mm D	VR3300		
CHECKED BY: BRAD REINBOLT	ECN NUMBER: N/A				
REFERENCE DRAWING: N/A	QUOTE NUMBER: N/A		DRAWING NUMBER: VR3300-SUBTL	DATE: 04/15/21	



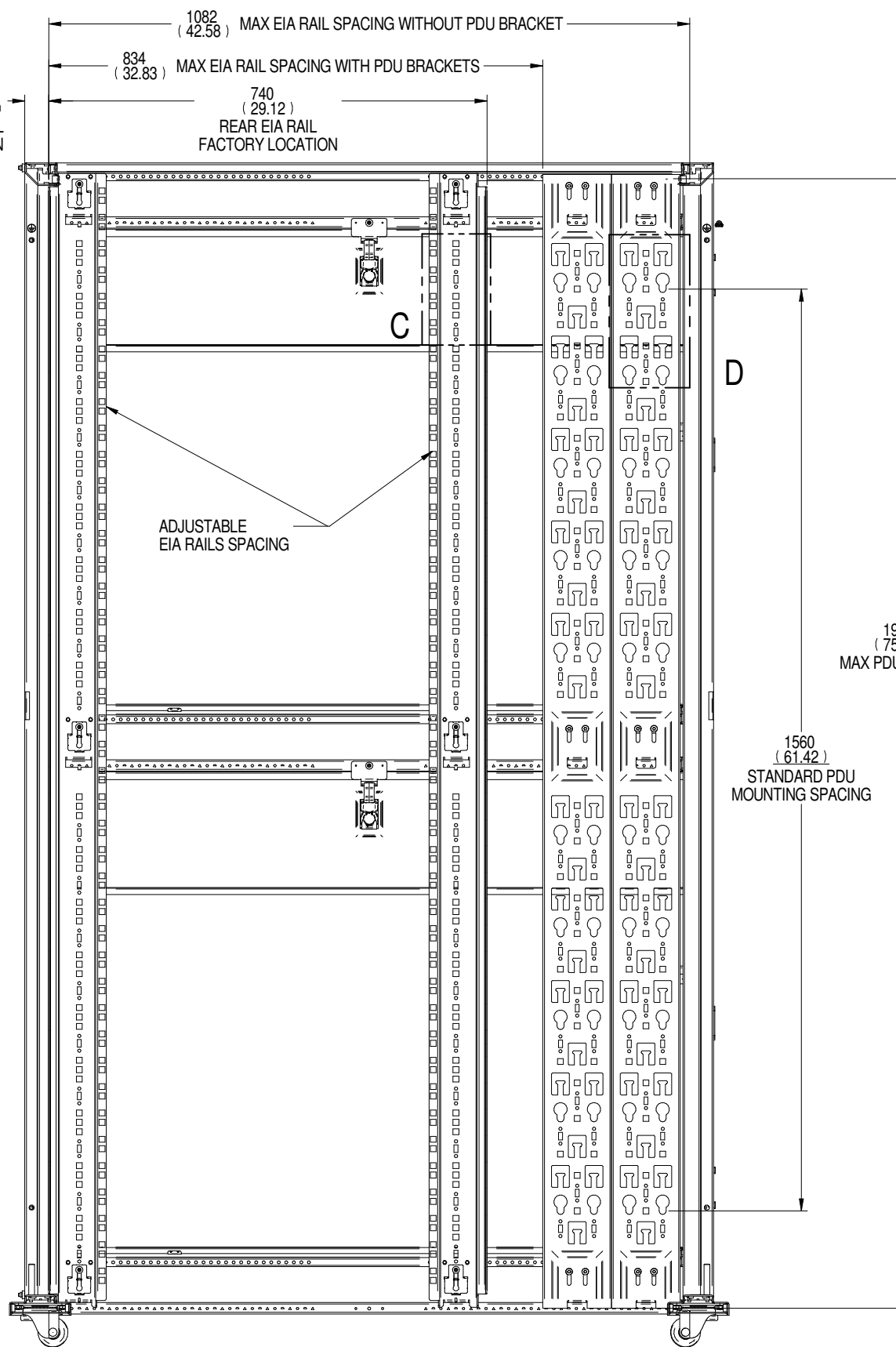
**DETAIL B  
RMU DETAIL**



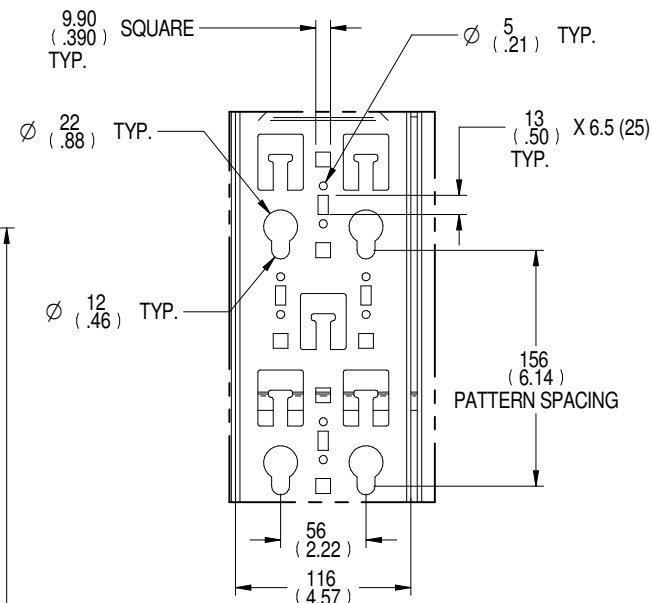
**DETAIL C  
OPTIONAL ACCESSORY  
LOCATIONS**



**FRONT VIEW  
(DOORS HIDDEN)**



**SECTION A-A**



**DETAIL D  
PDU BRACKET  
DETAIL**

1906  
(75.03)  
MAX PDU LENGTH

1560  
(61.42)  
STANDARD PDU  
MOUNTING SPACING

DRAWN BY: TED BEAVER	SHEET NUMBER: 3 OF 3
CHECKED BY: BRAD REINBOLT	ECN NUMBER: N/A
REFERENCE DRAWING: N/A	QUOTE NUMBER: N/A

TITLE / DESCRIPTION  
**VERTIV VR RACK**  
42U X 600mm W x 1200mm D

**VR3300**

DRAWING NUMBER: VR3300-SUBTL	DATE: 04/15/21	REV#: 3	1050 DEARBORN DRIVE P.O. BOX 29186 COLUMBUS, OHIO 43229
---------------------------------	-------------------	------------	---

