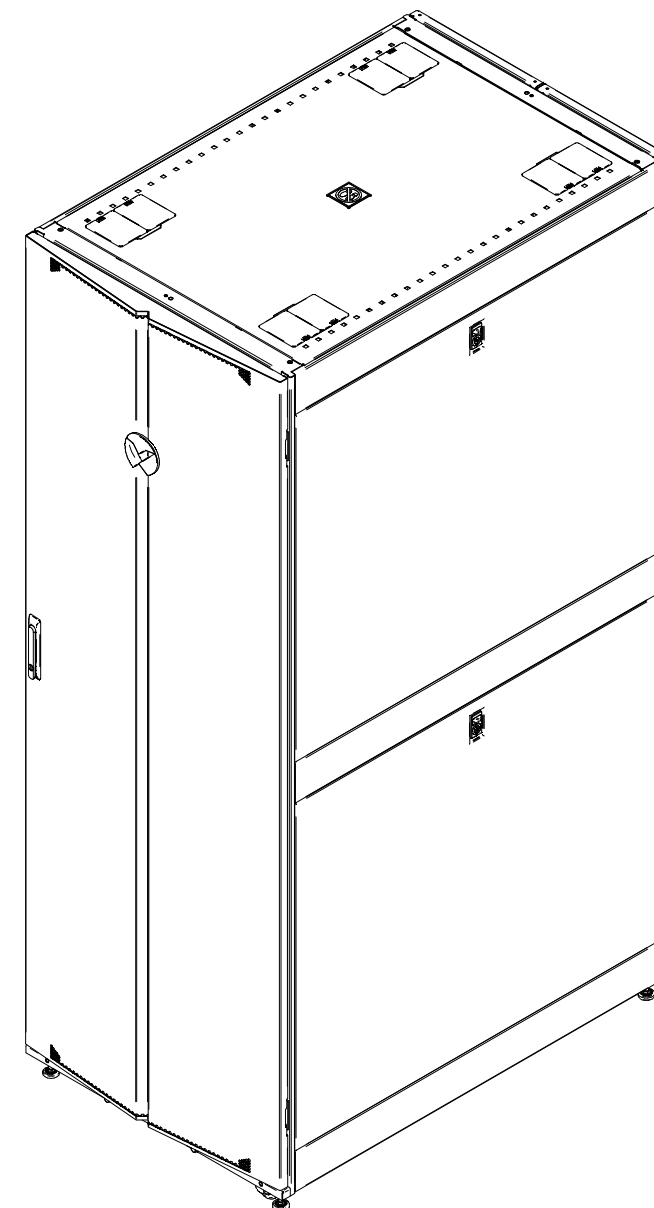
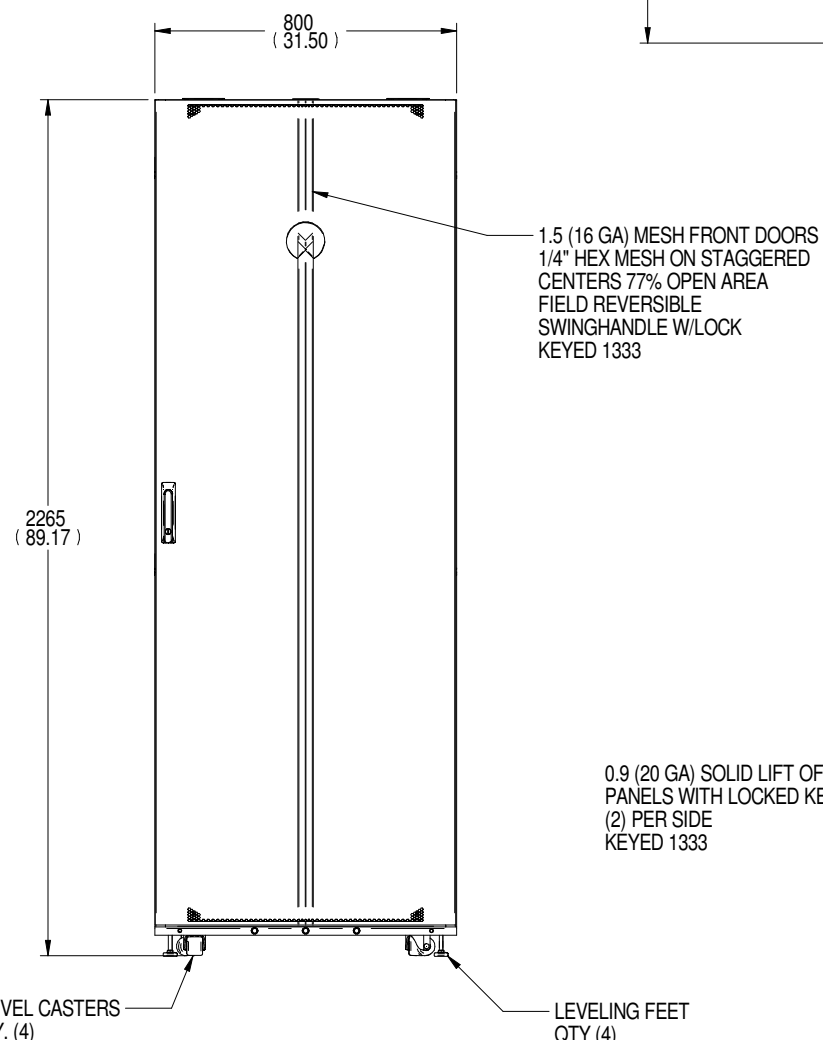


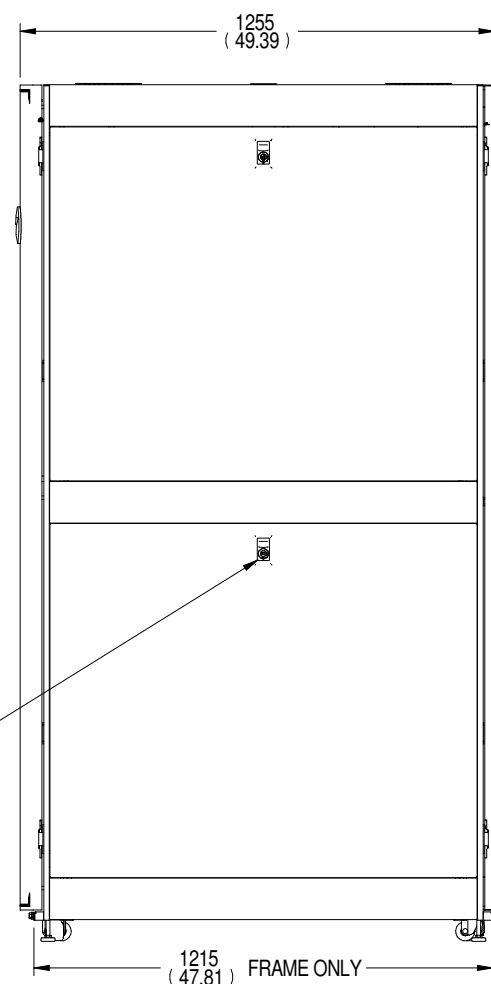
TOP VIEW



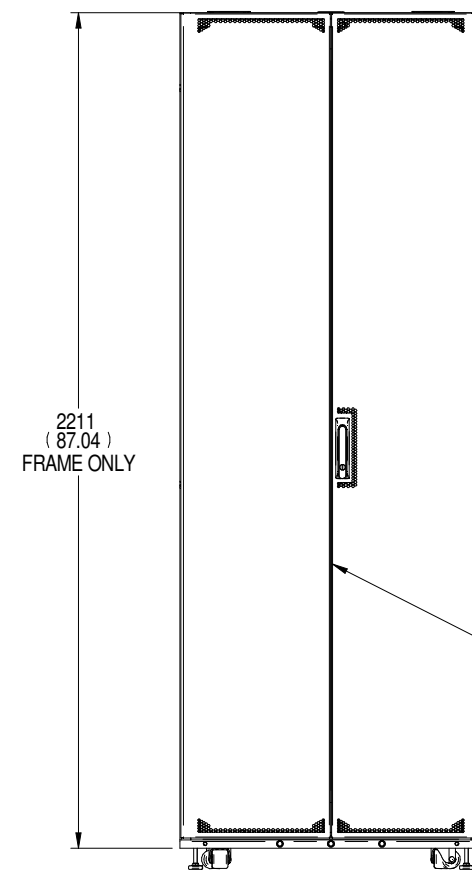
FRONT ISOMETRIC VIEW



FRONT VIEW



RIGHT SIDE VIEW



REAR VIEW

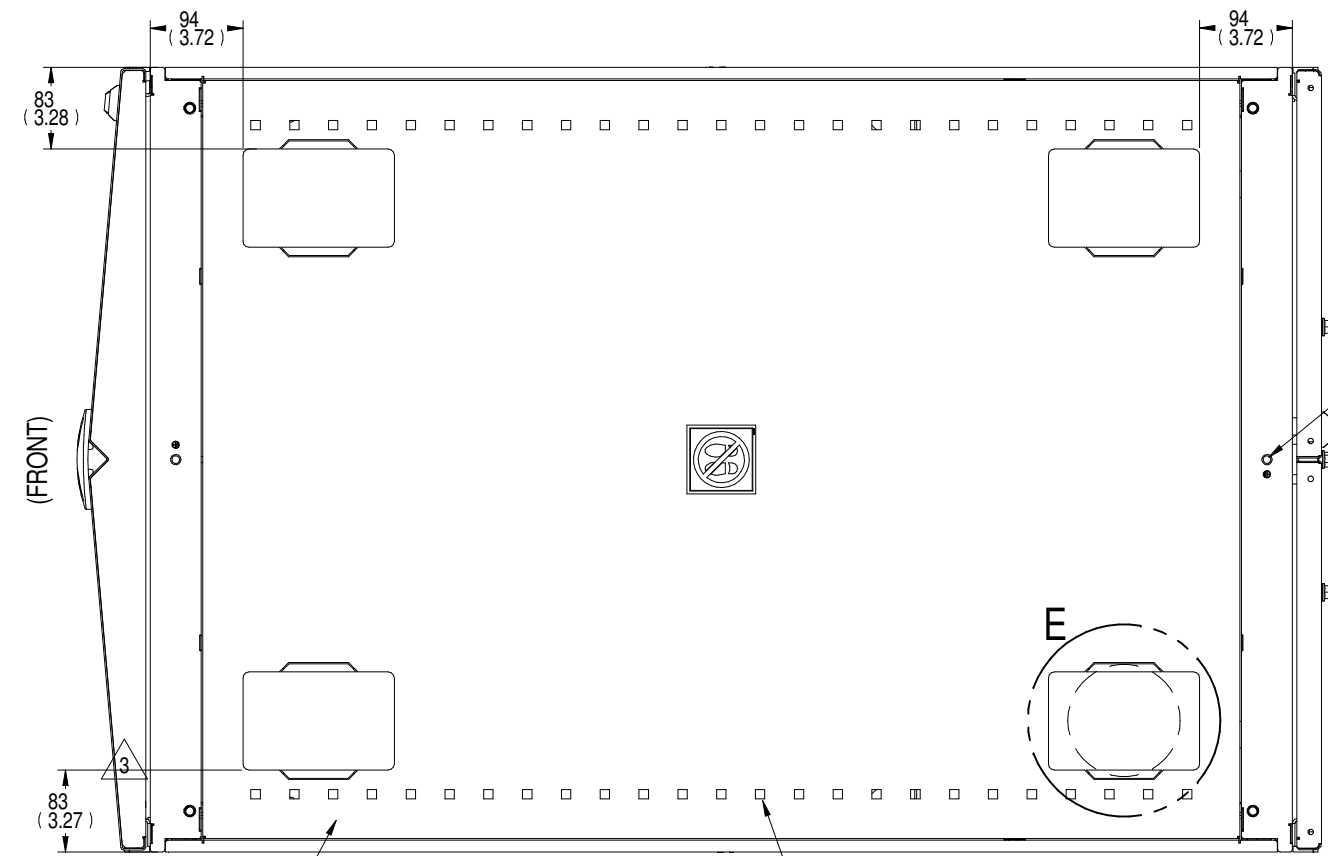
- NOTES:
1. ALL DIMENSIONS ARE MM (INCH), TOLERANCES ±2.5 (±0.1)
 2. UNIT WEIGHT: 179.6 KG (395.9 LBS)
 3. STATIC WEIGHT CAPACITY: 1361 KG (3000 LBS)
 4. DYNAMIC WEIGHT CAPACITY: 1021 KG (2250 LBS)
 5. PACKAGE OF M6 SCREWS, CAGE NUTS INCLUDED.

| | |
|------------------------------|-------------------------|
| DRAWN BY: TED BEAVER | SHEET NUMBER: 1 OF 3 |
| CHECKED BY: BRAD REINBOLT | ECN NUMBER: N/A |
| REFERENCE DRAWING: N/A | QUOTE NUMBER: N/A |

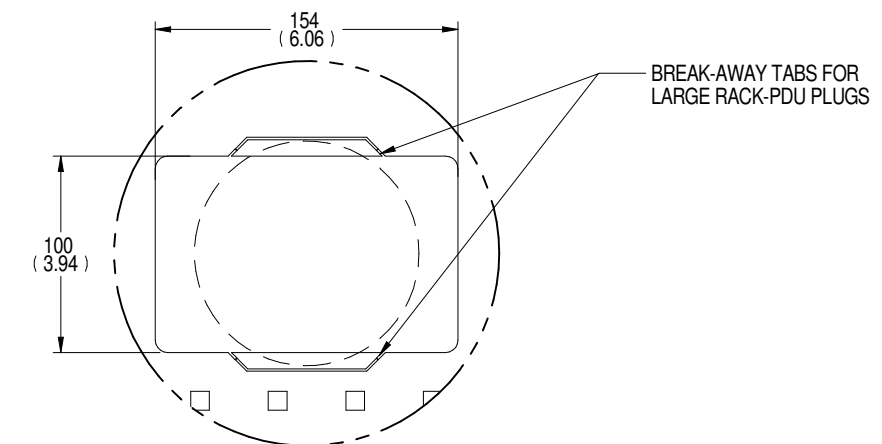
TITLE / DESCRIPTION
VERTIV VR RACK
48U X 800mm W x 1200mm D

| | |
|---------------------------------|---|
| VR3357 | |
| DRAWING NUMBER: VR3357-SUBTL | DATE: 04/23/18 |
| REV#: 2 | 1050 DEARBORN DRIVE P.O. BOX 29186 COLUMBUS, OHIO 43229 |

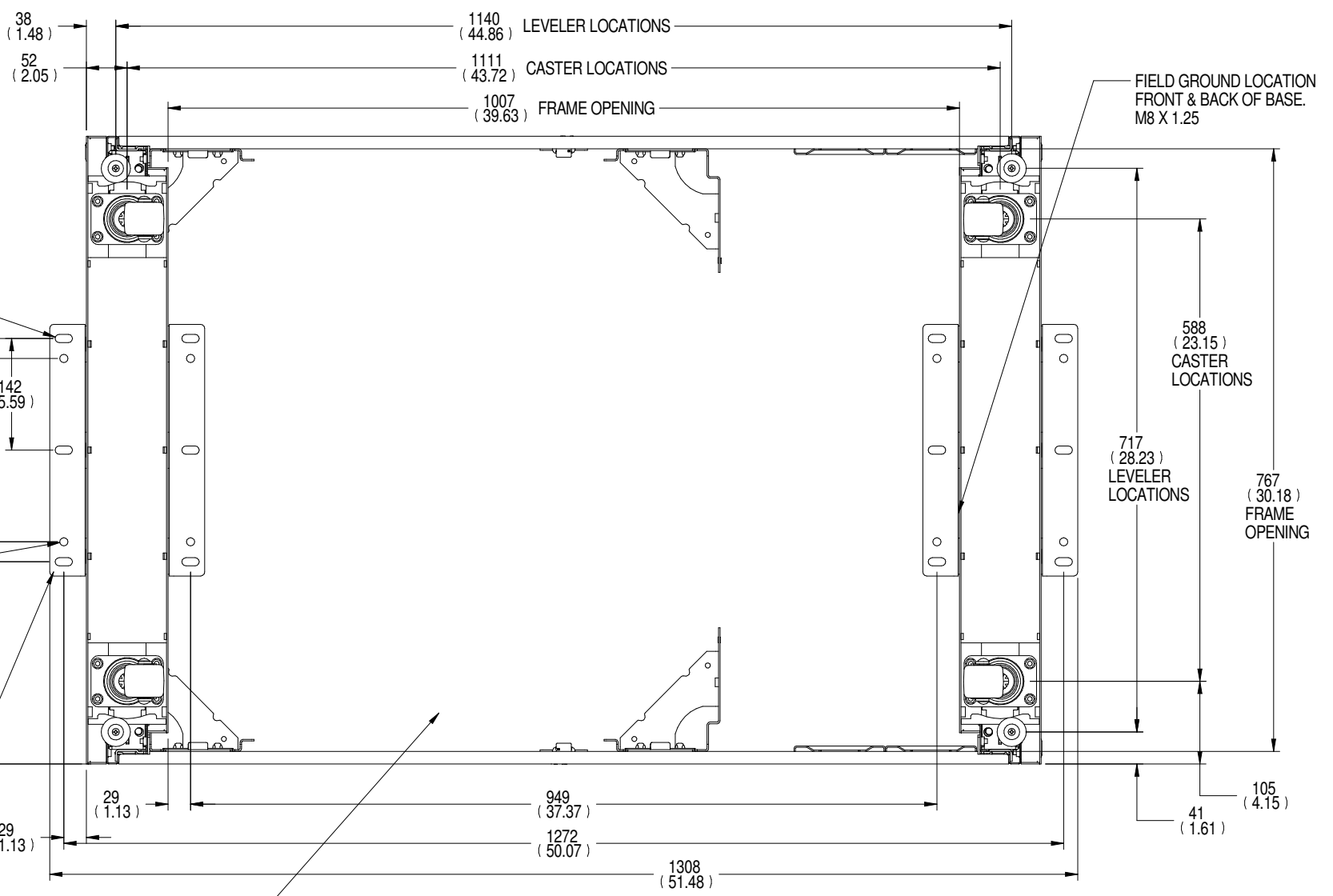




**TOP VIEW
CABLE OPENINGS**

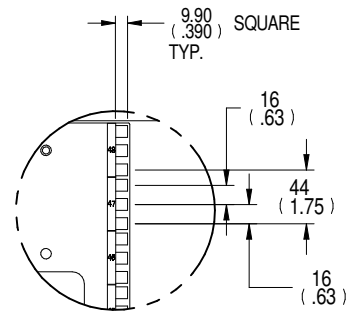


**DETAIL E
TYPICAL (4) PLACES
EDGE GUARD SUPPLIED WITH RACK**

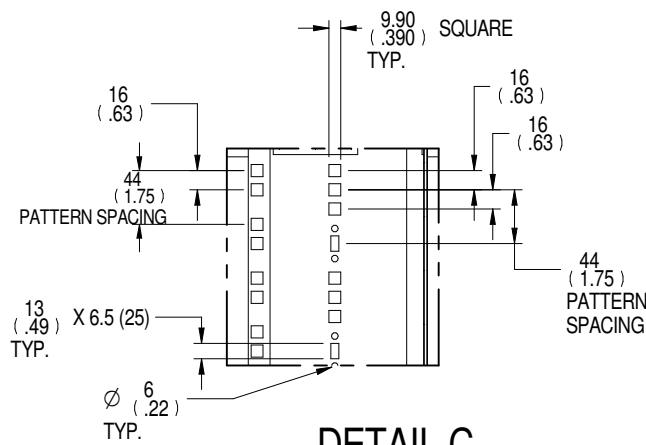


**BOTTOM VIEW
(TOP PANEL & DOORS HIDDEN)**

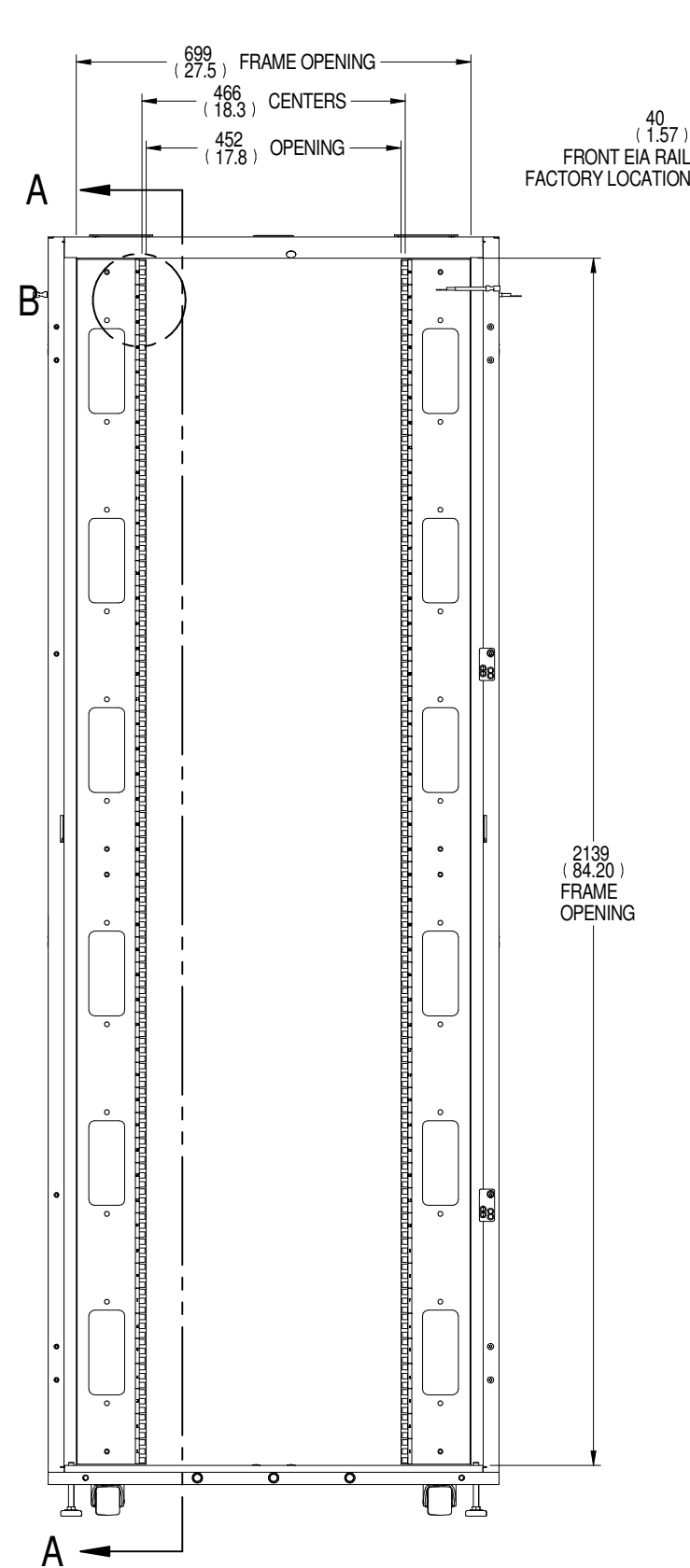
| | | | | | |
|------------------------------|-------------------------|--|---------------------------------|-------------------|--|
| DRAWN BY: TED BEAVER | SHEET NUMBER: 2 OF 3 | TITLE / DESCRIPTION VERTIV VR RACK 48U X 800mm W x 1200mm D | VR3357 | | |
| CHECKED BY: BRAD REINBOLT | ECN NUMBER: N/A | | | | |
| REFERENCE DRAWING: N/A | QUOTE NUMBER: N/A | | DRAWING NUMBER: VR3357-SUBTL | DATE: 04/23/18 | |



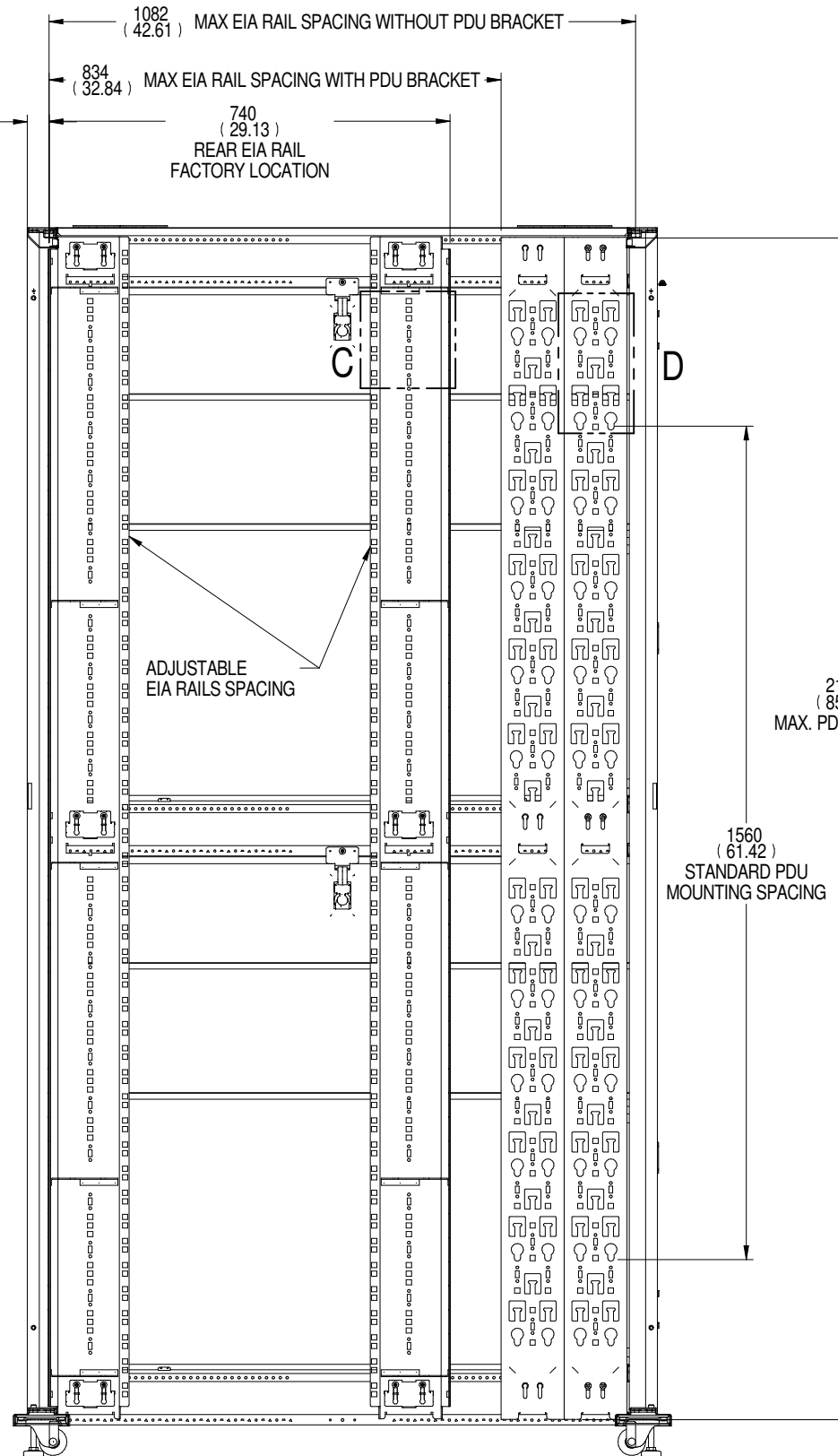
**DETAIL B
RMU DETAIL**



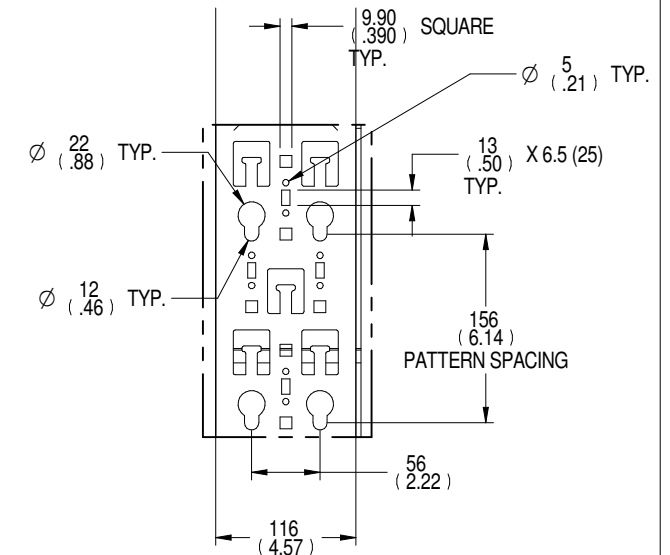
**DETAIL C
OPTIONAL ACCESSORY
LOCATIONS**



**FRONT VIEW
(DOORS HIDDEN)**



SECTION A-A



**DETAIL D
PDU BRACKET
DETAIL**

| | |
|------------------------------|-------------------------|
| DRAWN BY: TED BEAVER | SHEET NUMBER: 3 OF 3 |
| CHECKED BY: BRAD REINBOLT | ECN NUMBER: N/A |
| REFERENCE DRAWING: N/A | QUOTE NUMBER: N/A |

TITLE / DESCRIPTION
VERTIV VR RACK
48U X 800mm W x 1200mm D

VR3357

| | | | |
|---------------------------------|-------------------|------------|---|
| DRAWING NUMBER: VR3357-SUBTL | DATE: 04/23/18 | REV#: 2 | 1050 DEARBORN DRIVE P.O. BOX 29186 COLUMBUS, OHIO 43229 |
|---------------------------------|-------------------|------------|---|

