

GEIST™ SWITCHAIR AIRFLOW MANAGEMENT DEVICE



Quick Installation Guide

Models:

SA2-002

Switch Type:

Dual Side or Rear Air Intake - Front Exhaust 2U Switches

CAUTION: Ensure the required airflow for safe operation of equipment is not compromised when installing the Geist SwitchAir device.

WARNING: Take precaution to avoid interference with the switch's input power cords when installing behind a live switch.

DETERMINING THE PROPER INSTALL CONFIGURATION

Two installation configurations are available for cooling: dual-side air intake or rear air intake. The appropriate install configuration is determined by the design of the air intake on the switch to be cooled.

Both configurations include assembling the side channels to the rack. For rear air intake, the rear ducts are used and the wipers are discarded. For side air intake, the wipers are used and the rear ducts are discarded.

REAR AND SIDE AIR INTAKE INSTALL

1. Attaching the rear air ducts (rear air intake only)

Orient the rear ducts so their opposite open ends are tilted away from the mountable end of the side channel. Use the provided pan head screws to attach the rear air ducts to the side mounting channels.

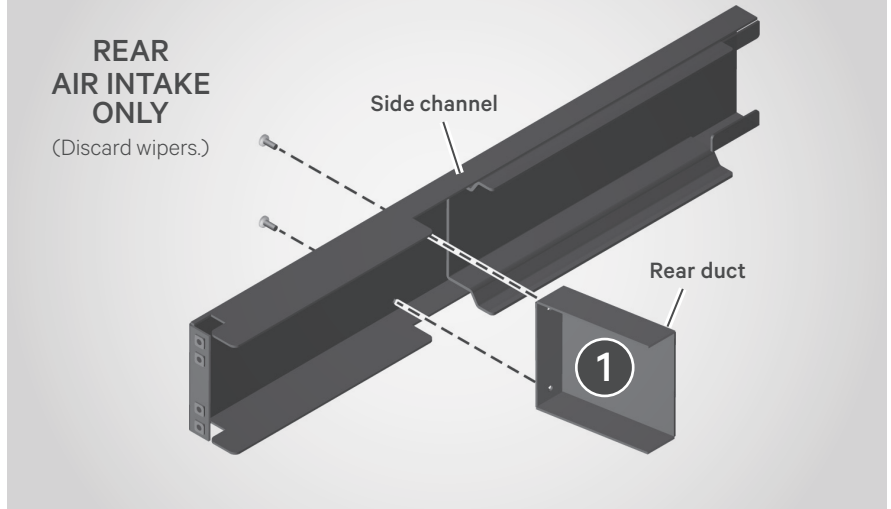
2. Installing the side channel assemblies

For both configurations, insert the four customer-provided cage nuts into the four holes on the front of the channel.

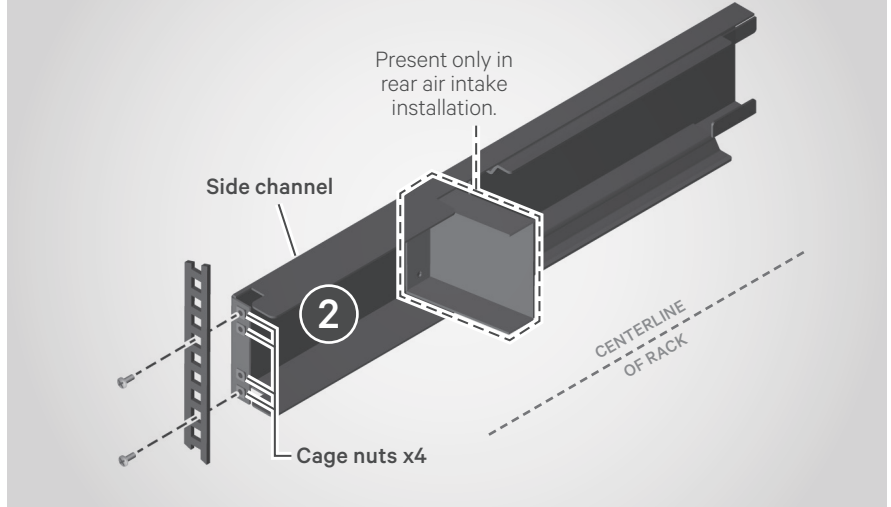
Geist SwitchAir Airflow Management Device



Geist SwitchAir Rear Duct Installation



Geist SwitchAir Side Channel Installation



Select a 2U space in the rack. With the channel of the side rail facing the centerline of the rack, hold the side rail channel on the inside of the left rack upright. Fasten in place using screws only in the top and bottom holes of the 2U space. Repeat the procedure for installation of the channel on the opposite side.

3. Installing the wipers (side air intake only)

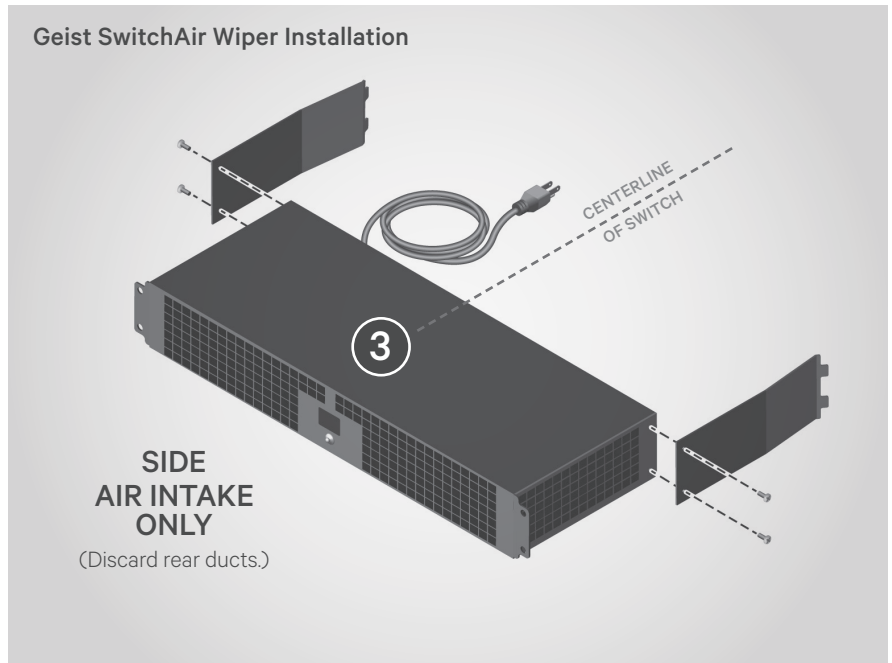
Orient each SwitchAir wiper with the tab facing away from the centerline of the switch. Attach each wiper using the provided screws.

4. Installing the switch

Slide the network switch into the rack's 2U space at the installed channel's height. Using customer-provided cage nuts and screws, mount the switch to the rear rack uprights.

5. Installing the SwitchAir device into the rack

NOTE: Connect to power before attaching the SwitchAir

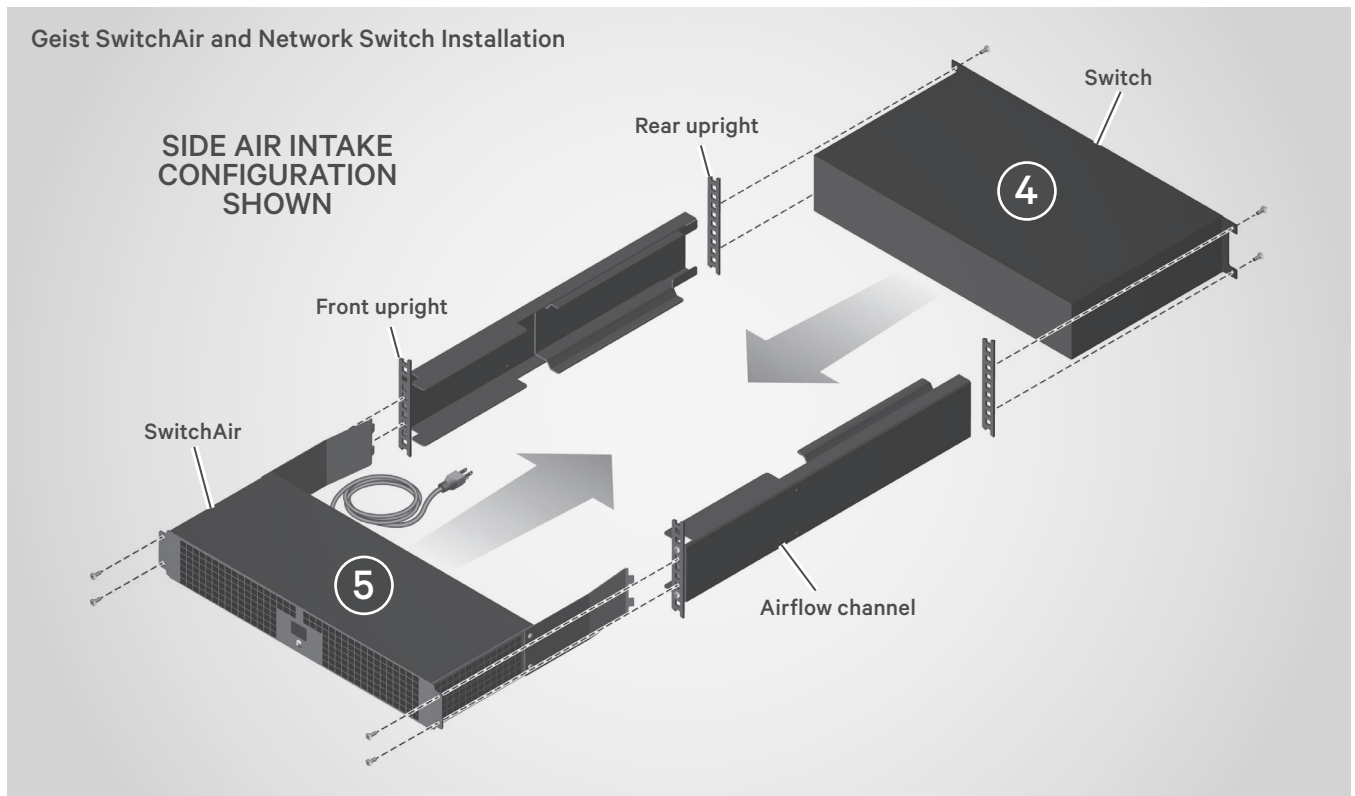


device to the rack. (The SwitchAir has a standard C14 power inlet. Due to the variety of possible power source outlet types, an appropriate power cord type must be determined and supplied by the customer.)

Insert the SwitchAir device into the open rack space at the same 2U height as the switch.

For the rear air intake only:

Once the SwitchAir device is fully seated, install the mounting screws

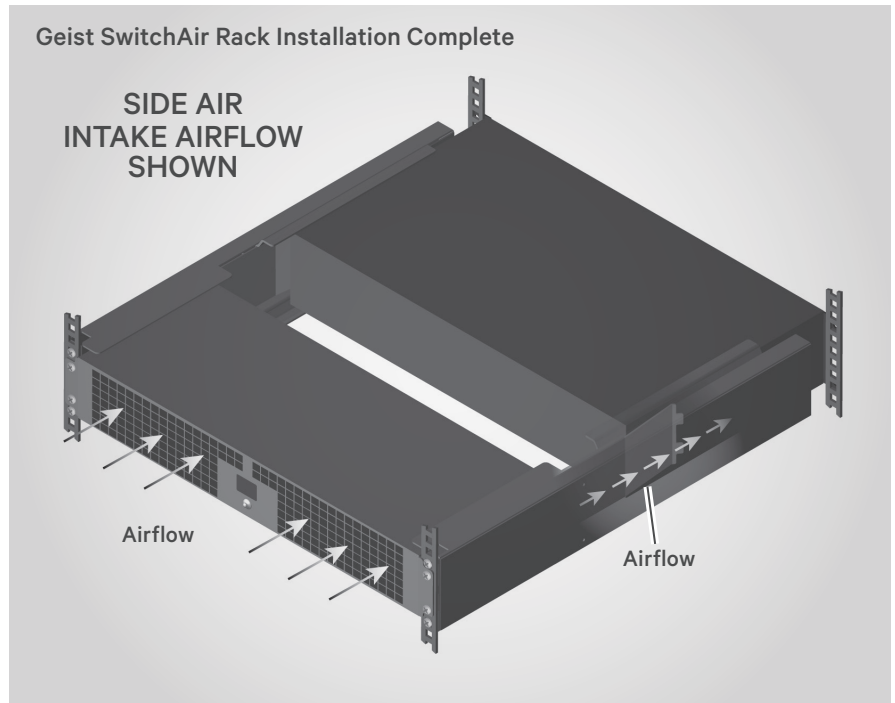


to fasten the unit to the front rack uprights.

For the side air intake only:

As the SwitchAir device is inserted into the space, each wiper acts as a guide to deflect the wiper past the switch's corner and along its side.

Once the SwitchAir device is fully seated, install the mounting screws to fasten the unit to the front rack uprights.





To contact Vertiv Technical Support: visit www.VertivCo.com

© 2019 Vertiv Co. All rights reserved. Vertiv and the Vertiv logo are trademarks or registered trademarks of Vertiv Co. All other names and logos referred to are trade names, trademarks or registered trademarks of their respective owners. While every precaution has been taken to ensure accuracy and completeness herein, Vertiv Co. assumes no responsibility, and disclaims all liability, for damages resulting from use of this information or for any errors or omissions. Specifications are subject to change without notice.

