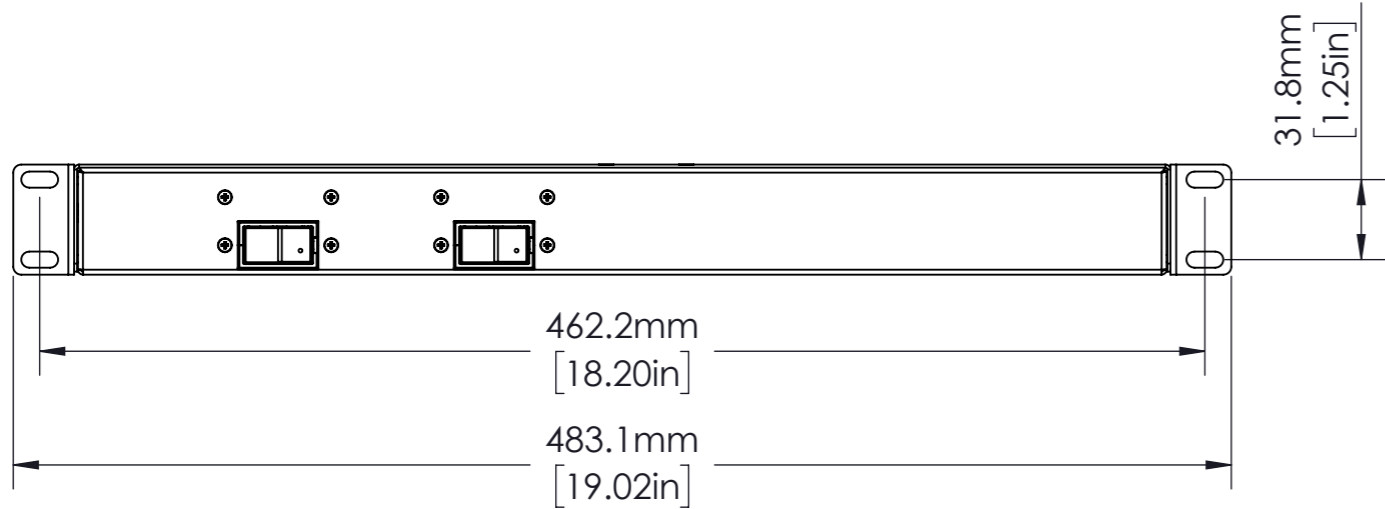


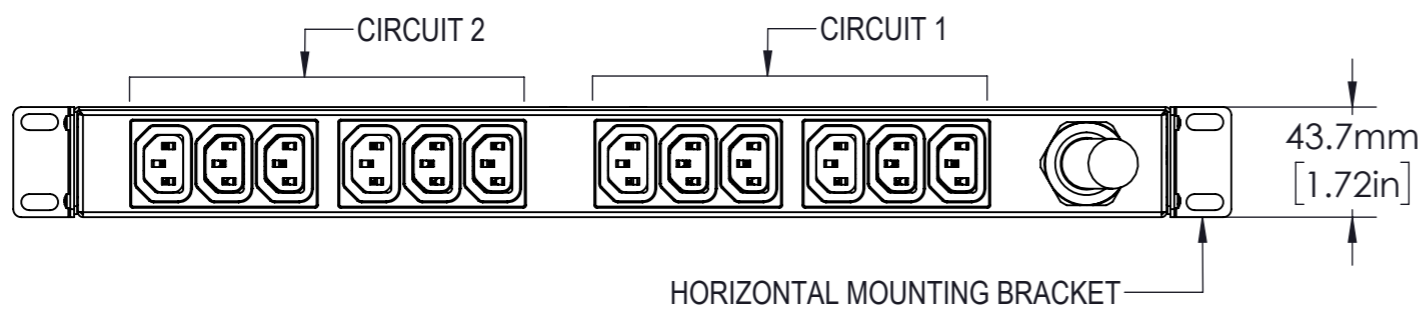
Disclosure and photocopying of this document, exploitation and communication of its contents are not permitted, unless permission is expressly granted. All rights are reserved.

Weitergabe sowie Vervielfältigung dieser Unterlage, Verwertung und Mitteilung ihres Inhalts nicht gestattet, soweit nicht ausdrücklich zugestanden. Alle Rechte vorbehalten.

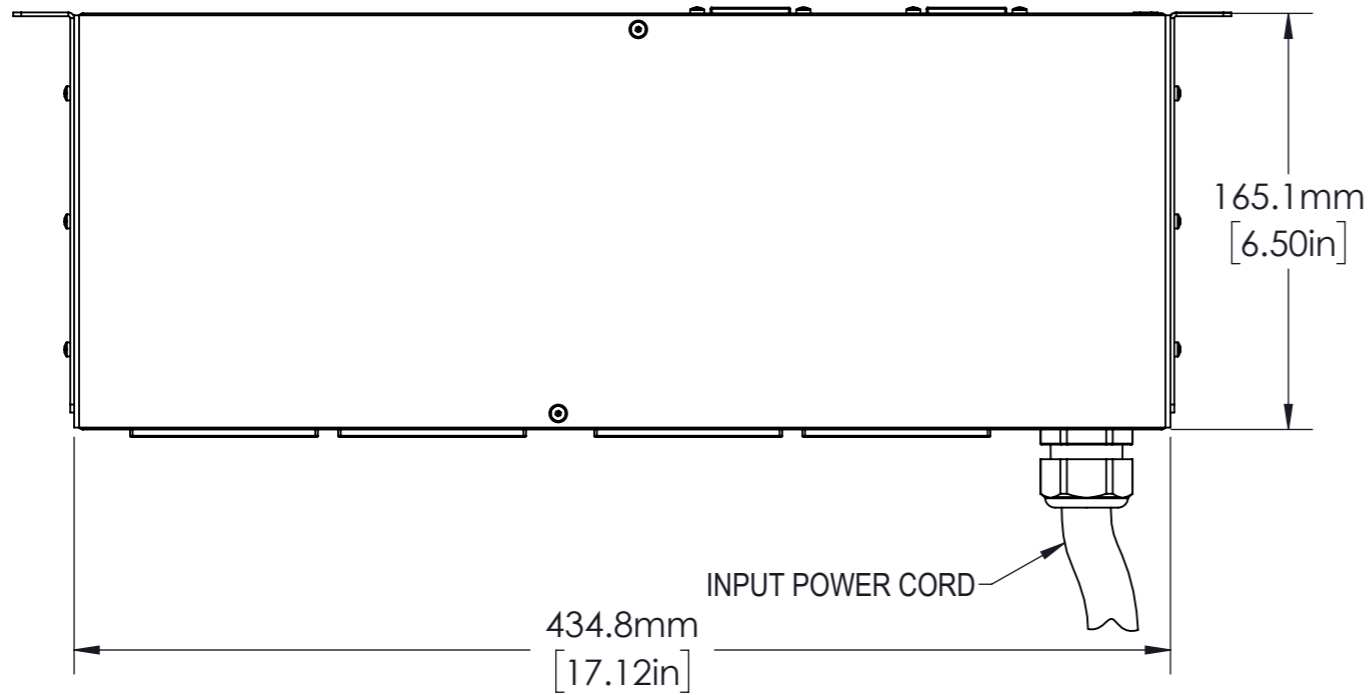
**FRONT VIEW**



**REAR VIEW**



**UPPER VIEW**

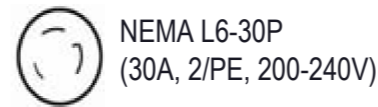


**OUTPUT POWER**

CIRCUIT	PHASE	RECEPTACLE TYPE	VOLTAGE (V)	MAX. CONTINUOUS AMPS (A)	
				PER RECEPTACLE	PER CIRCUIT
1	L1-L2	6xC13	200-240	12	16
2	L1-L2	6xC13	200-240	12	16

**INPUT POWER**

INPUT CORD	INPUT PLUG	WIRE COUNT	FREQUENCY (Hz)	VOLTAGE (V)	RATED AMPS (A)	MAX. CONT. AMPS (A)
10 FT	NEMA L6-30P	2/PE	50/60 Hz	200-240V	30	24



AGENCY COMPLIANCE:  
UL & c-UL Listed 60950  
RoHS Compliant

ENVIRONMENTAL RATING:  
Continuous Operating Temperature Range: 10-45C / 50-113F

NOTES  
UNIT DIMENSIONS: 1.72in x 17in x 6.5in / 44mm x 432mm x 165mm  
SHIPPED WEIGHT: 8lbs (3.63kg)  
SHIPPING DIMENSIONS: 23in x 14in x 3in / 566mm x 337mm x 58mm  
Adjustable Mount Brackets

	Allgemeintoleranzen General tolerances		Oberfläche Finish		Werkstoff / Material		Gewicht: Weight: -
	-		-		-		
Dimensions in mm		Date	Name		Bezeichnung / Description		
		Drawn	14/06/18		Basic, Horizontal, 30A, 208V, (12)C13		
		Checked	-				
		Approved	-				
					Zeichnungs-Nr. / Drawing no.		Maßstab Scale <b>1:3</b>
					<b>VP9571A</b>		
Rev.		Change	Date	Name	Verwendet in / Used in		Blatt/Sheet 1/1