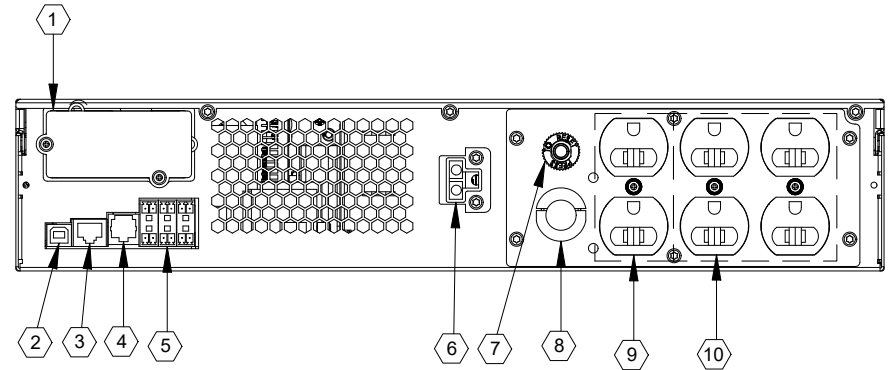
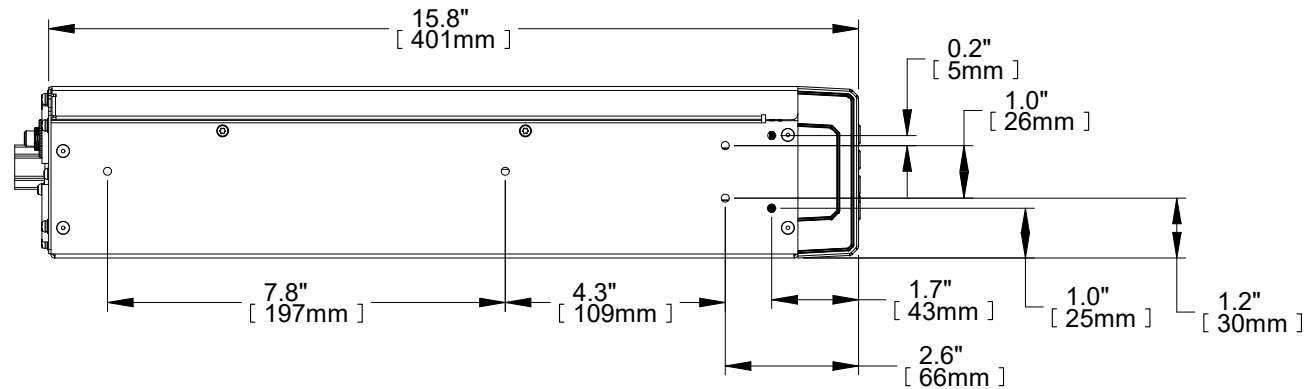


FRONT VIEW

FOR DETAIL
SEE DRAWING GXT5-DISPLAY



REAR VIEW



SIDE VIEW

- ① INTELLISLOT PORT
- ② USB PORT
- ③ RS485 PORT
- ④ RS232 PORT
- ⑤ TERMINAL BLOCK COMMUNICATION
- ⑥ EXTERNAL BATTERY CONNECTOR
- ⑦ 12A INPUT CIRCUIT BREAKER
- ⑧ INPUT POWER PLUG (L5-15P, 10 FEET/3M)
- ⑨ NON-PROGRAMMABLE OUTPUT RECEPTACLES IEC 60906-1 15A
- ⑩ PROGRAMMABLE OUTPUT RECEPTACLES IEC 60906-1 15A

NOTES:

1. UNIT DIMENSIONS (WxDxH): 16.9" x 15.8" x 3.3" (2U)
(430mm) x (401mm) x (85mm)
2. UNIT WEIGHT: 37lbs (16.8kg)
3. SHIPPING DIMENSIONS (WxDxH): 22.4" x 24.3" x 10.3"
(570mm) x (617m) x (262mm)
4. SHIPPING WEIGHT: 50lbs (22.7kg)
5. MINIMUM AIRFLOW CLEARANCE IS 4.0" (100mm)
FRONT AND REAR.

| | |
|-----------------------|---------------------|
| DRAWN BY B. LAY | SHEET NO. 1 OF 1 |
| CHK BY M. MCCLINCY | ECN NO. |
| REF. DWG. | ORDER NO. |

OUTLINE DRAWING
LIEBERT GXT5 500-1000VA
100/120VAC RACK/TOWER UPS

| | | | |
|------------------------------|-----------------|-------------|---|
| DWG. NO. GXT5-500 1KLV OD | DATE 1/30/19 | REV. # 0 | 1050 DEARBORN DRIVE P.O. BOX 29186 COLUMBUS, OHIO 43229 |
|------------------------------|-----------------|-------------|---|

